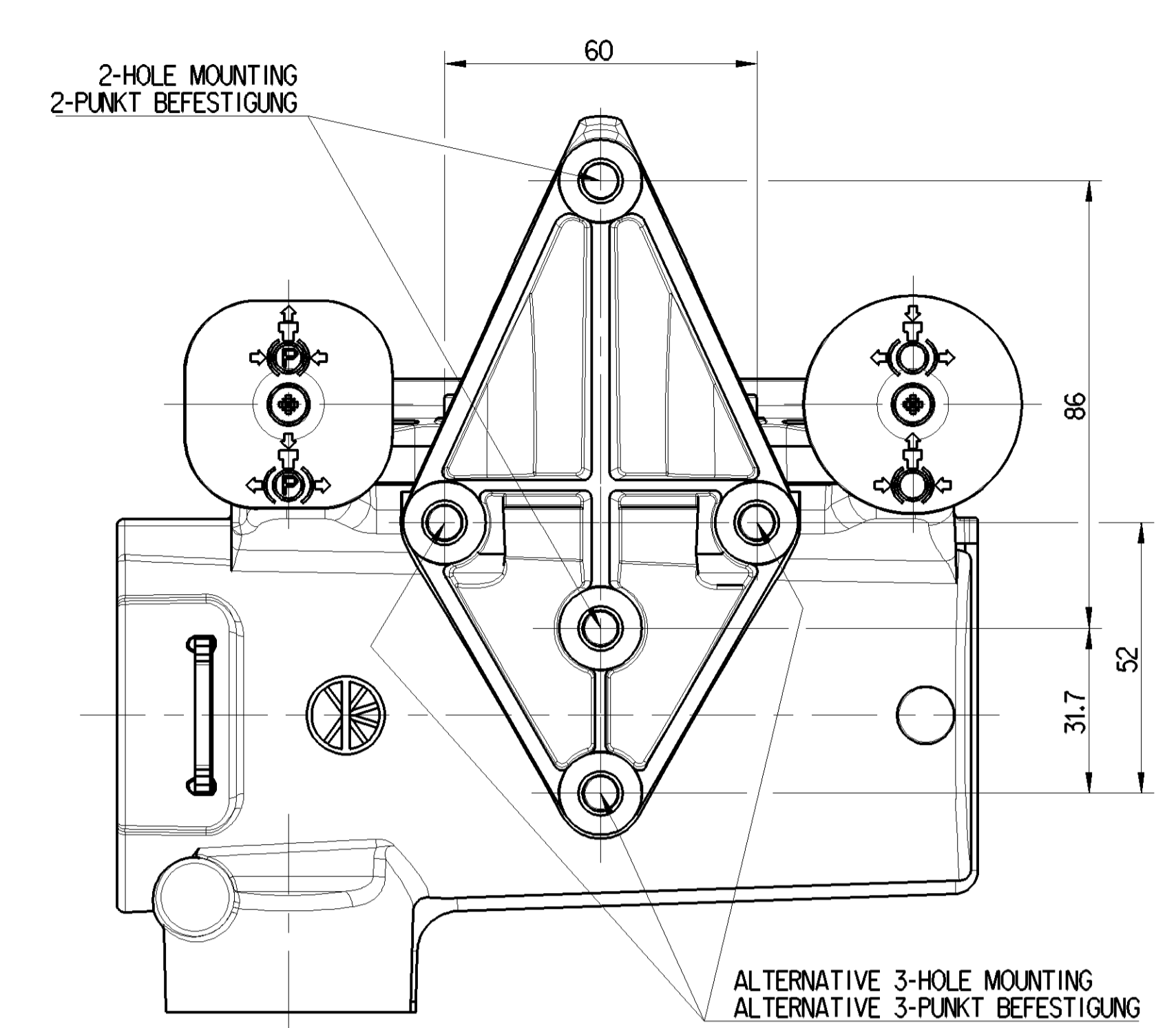
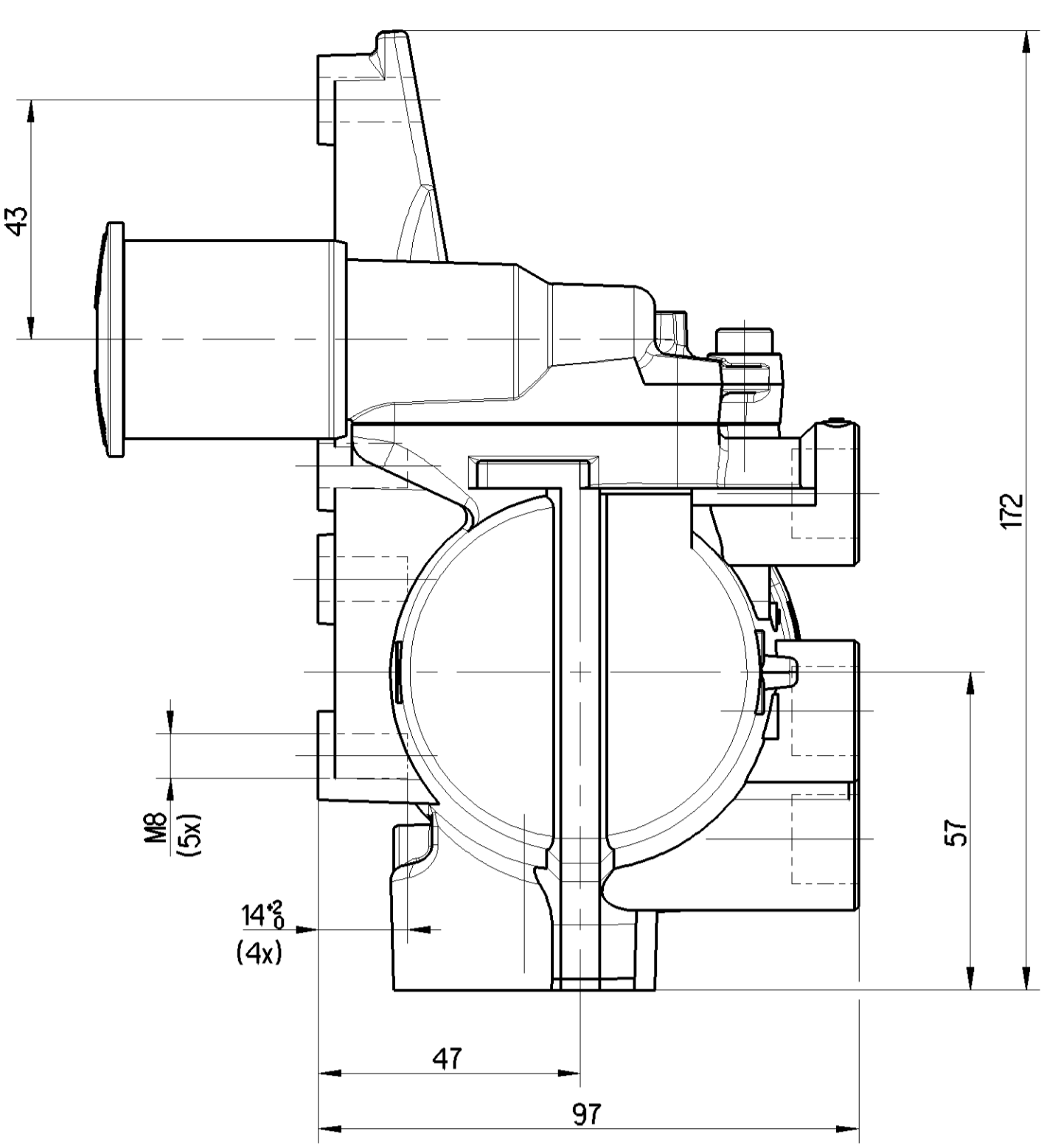
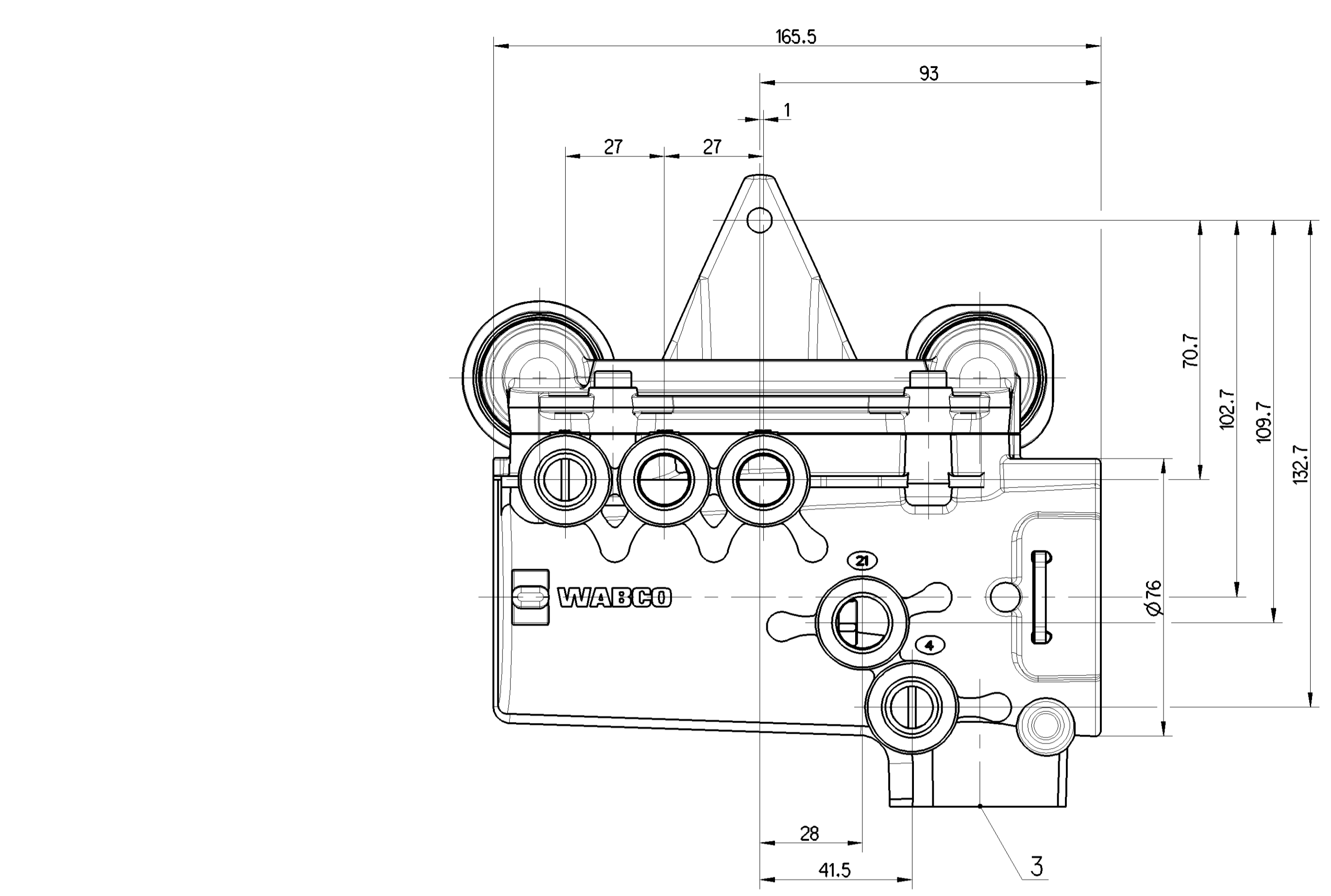


| | |
|-----------------------------|---|
| SAFETY CHARACTERISTICS | 0 |
| SIGNIFICANT CHARACTERISTICS | 0 |
| CUSTOMER INTERFACE | 0 |

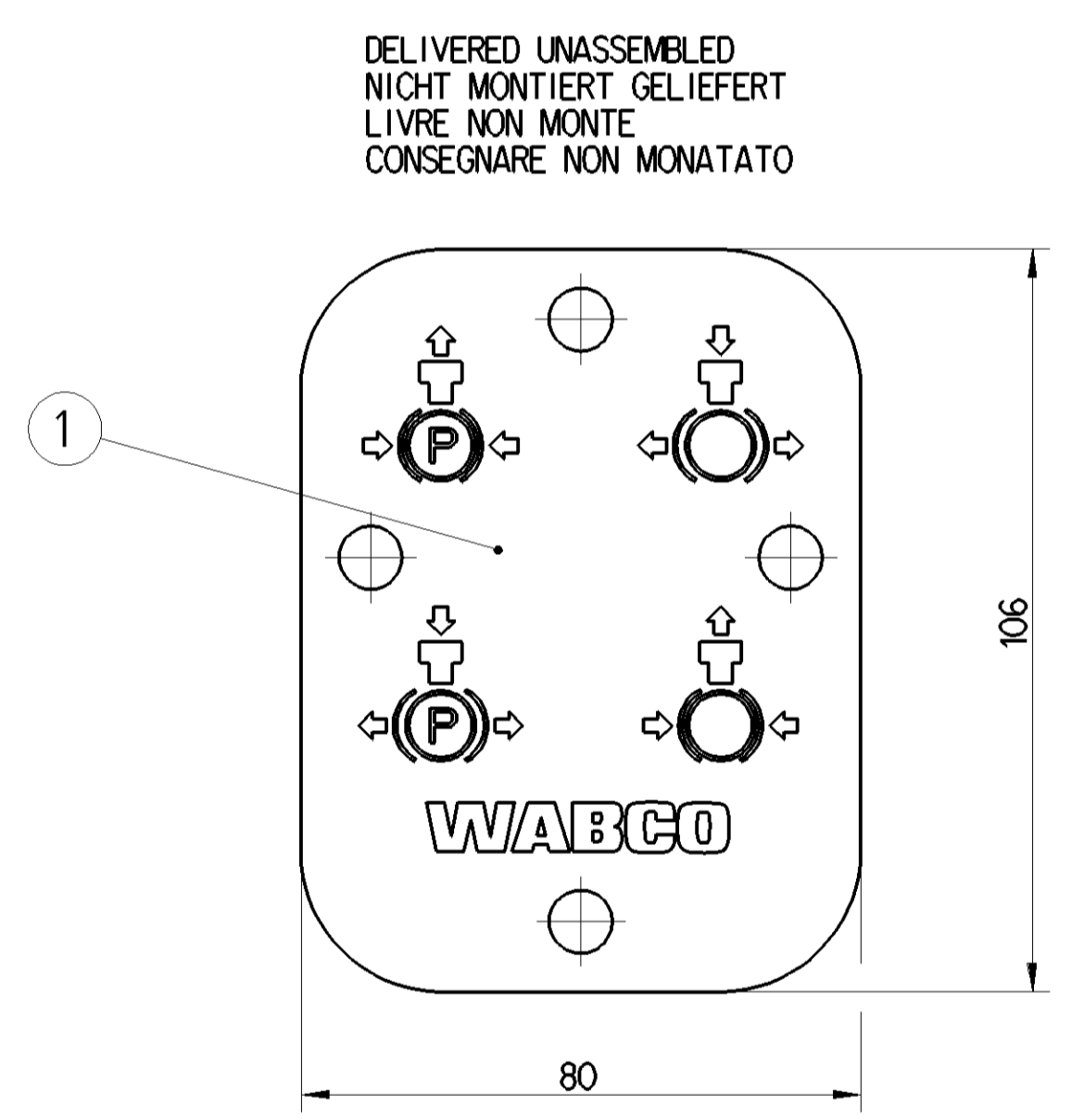
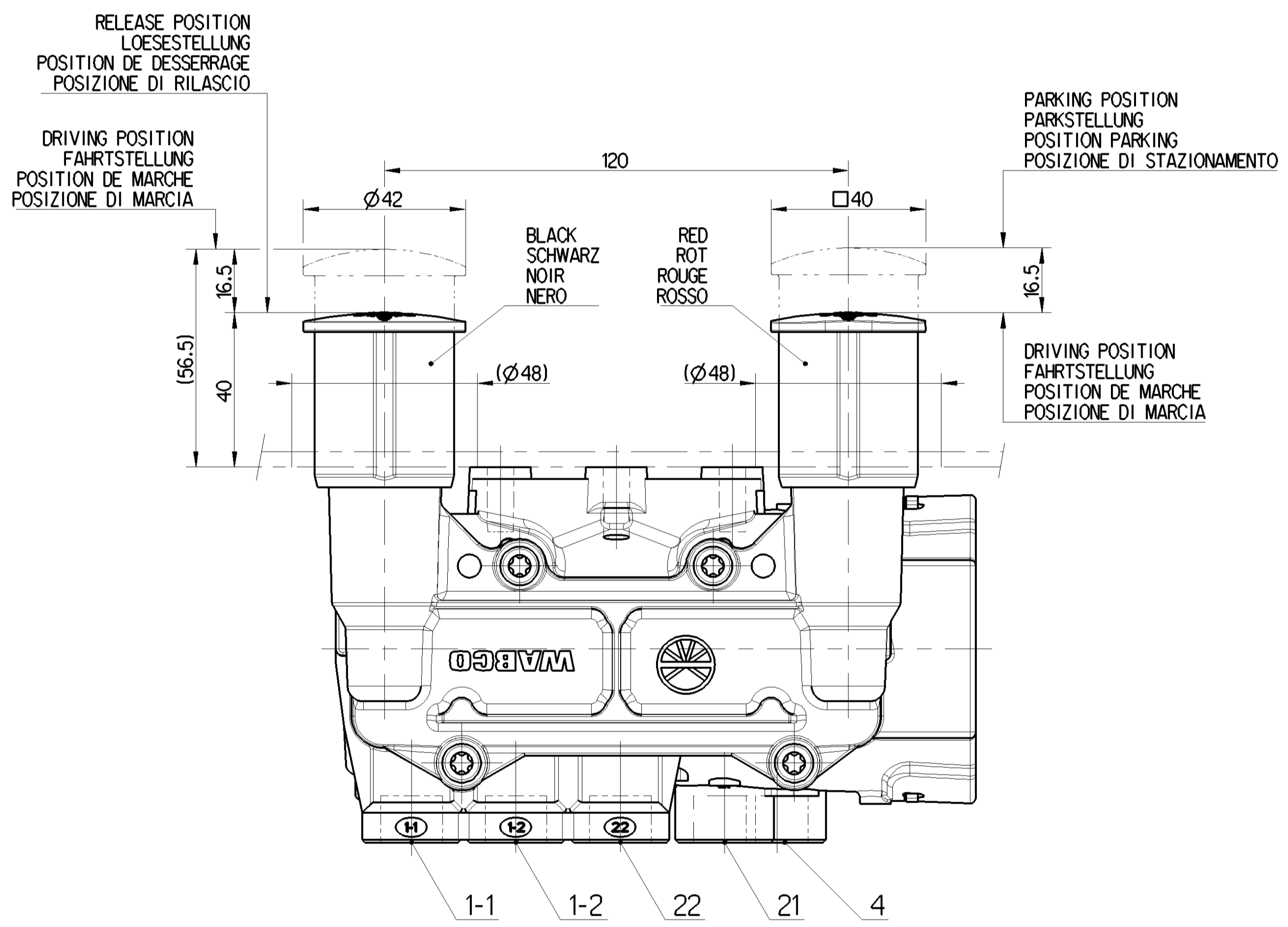


| PORT ANSCHLUSS ORIFICE ORIFIZIO | FUNCTION FUNKTION FUNCTIONE | TAPPED HOLES GEWINNBOHRUNGEN TROUS TARALUDES FORI FILETTATI | FITTING, DIAMETER FOR PIPE VERSCHRAUBUNGS FLIER ROHROHRMESSER RACCORDO, DIAMETRO DEL TUBO | DEPTH OF INSERTION EINSTECKTIEFE DESCHROHES PROFONDEUR D'INSERTION PROFONDAITA D'INTRODUZIONE |
|---------------------------------|---|---|---|---|
| 1-1 | SUPPLY VORRAT ALIMENTATION | M16x1.5 JED-152 | ø 8x1 | 20.5 mm |
| 1-2 | AIR RESERVOIR LUFTEHALTER RESERVOIR D'AIR SERBATOIO D'ARIA | M16x1.5 JED-152 | ø 8x1 | 20.5 mm |
| 21 | MODULATOR MODULATEUR MODULATORE | M16x1.5 JED-152 | ø 8x1 ø 10x1 | 20.5 mm 24 mm |
| 22 | SPRING BRAKE CYLINDER FEDERSPEICHERZYLINDER CYLINDRE A RESSORT CILINDRO A MOLLA | M16x1.5 JED-152 | ø 8x1 | 20.5 mm |
| 3 | AIR EXHAUST ENTLUEFTUNG ECHAPPEMENT SCARICO | --- | --- | --- |
| 4 | SERVICE LINE BREMSLEITUNG CONDUITE DIRECTE CONDOTTA MORABILE | M16x1.5 JED-152 | ø 8x1 | 20.5 mm |

TORQUE FOR CONNECTIONS ANZUGSMOMENT FÜR EINSCHRAUBSTÜTZEN COUPLE DE SERRAGE DES RACCORDS COPPIA DI SERRAGGI DEI RACCORDI 30 ± 3 Nm

TORQUE FOR MOUNTING ANZUGSMOMENT FÜR MONTAGE COUPLE DE SERRAGE DES MONTAGE COPPIA DI SERRAGGI DEI MONTAGGIO 15 Nm

PLEASE REFER TO THE MAX. TORQUE OF THE FITTINGS BITTE MAX. ANZUGSMOMENT DER VERSCHRAUBUNGEN BEACHTEN LE COUPLE DE SERRAGE MAX. DES RACCORDS EST A OBSERVER OSSEVARE LA COPPIA DI SERRAGGIO MASSIMA DI RACCORDI



FURTHER TECHNICAL DATA SEE PRODUCT SPECIFICATION, DOCUMENT NO WEITERE TECHNISCHE DATEN SIEHE PRODUKT-SPEZIFIKATION, DOKUMENT-NR. POUR AUTRES DONNEES TECHNIQUES VOIR PRODUCT SPECIFICATION, DOC. NO PER ULTERIORI DATI TECNICI VEDERE SPECIFICA DI PRODOTTO, DOCUMENTO NO 971 002 909 0_535

WORKING MEDIUM ARBEITSMEDIUM FLUIDE D'UTILISATION FLUIDO DI ESERCIZIO AIR (WATER, OIL AND ALCOHOL CONTAINING) LUFT (WASSER-, ÖL- UND ALKOHOLHALTIG) AIR (CHARGE D'EAU, D'HUILE ET D'ALCOOL) ARIA (CONTENENTE ACQUA, OLIO ED ALCOOL)

WORKING ENVIRONMENT UMGEBUNGSMEDIUM FLUIDE AMBIANTE FLUIDO AMBIENTE AIR (CONTAINING WATER, SALT, DUST AND OIL) LUFT (WASSER-, SALZ-, STAUB- UND ÖLHALTIG) AIR (CHARGE D'EAU, DE SEL, DE POUSSIERE ET D'HUILE) ARIA (CONTENENTE ACQUA, SALE, POLVERO ED OLIO)

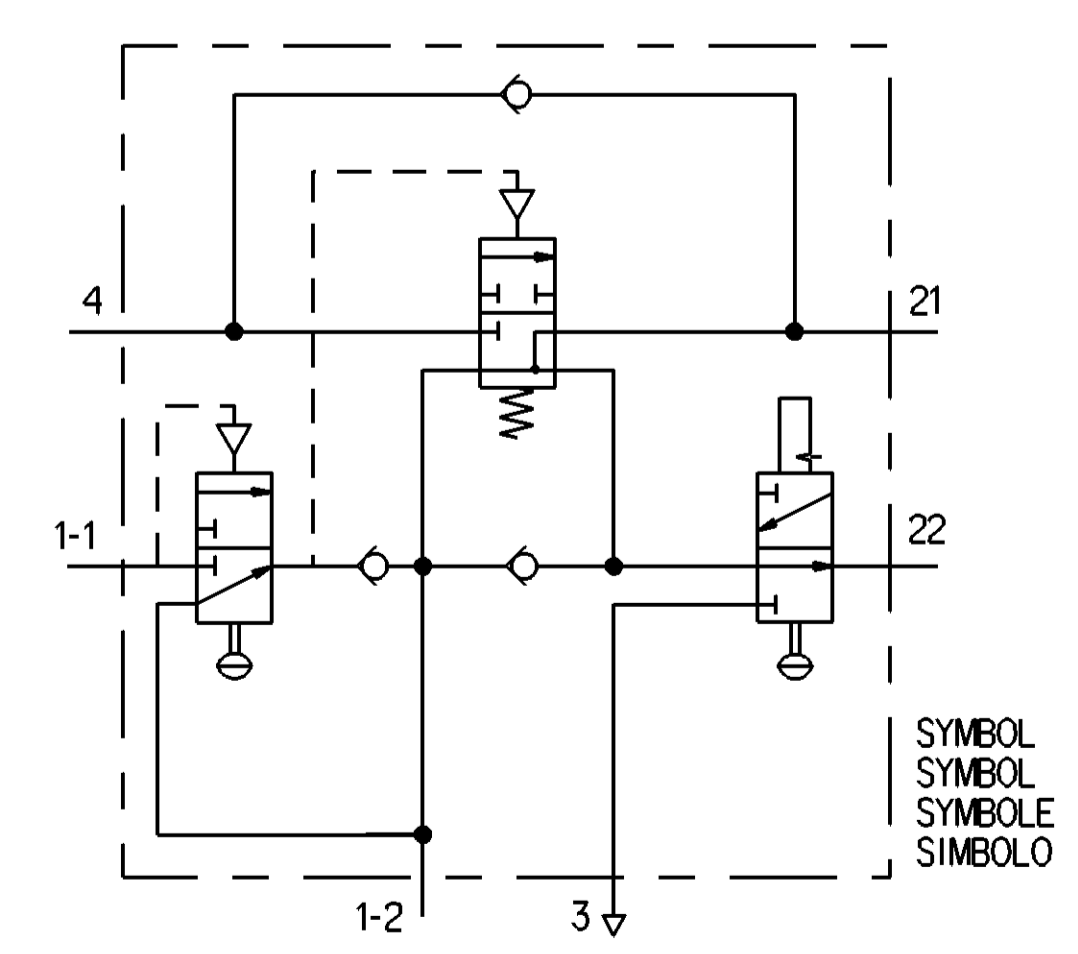
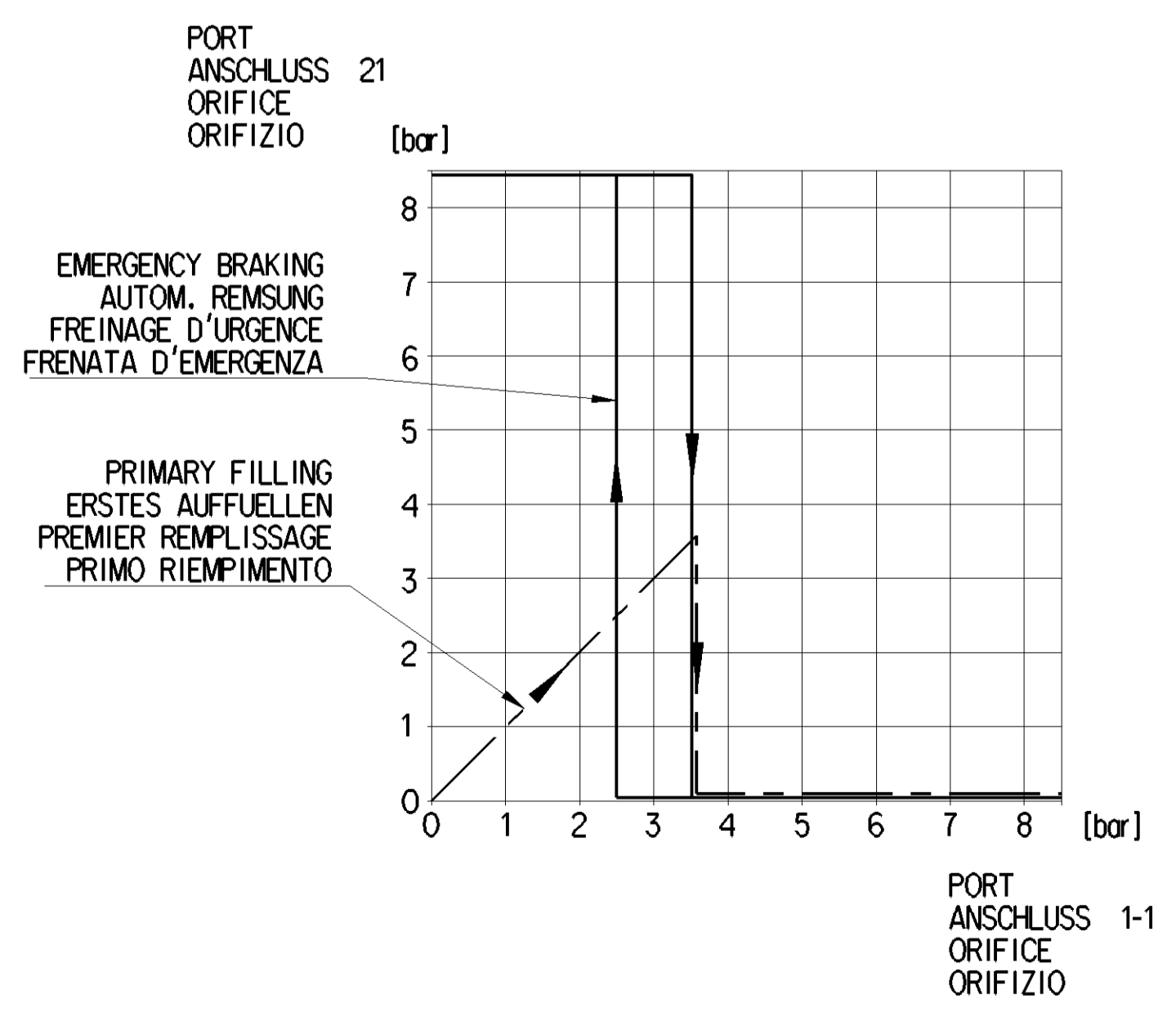
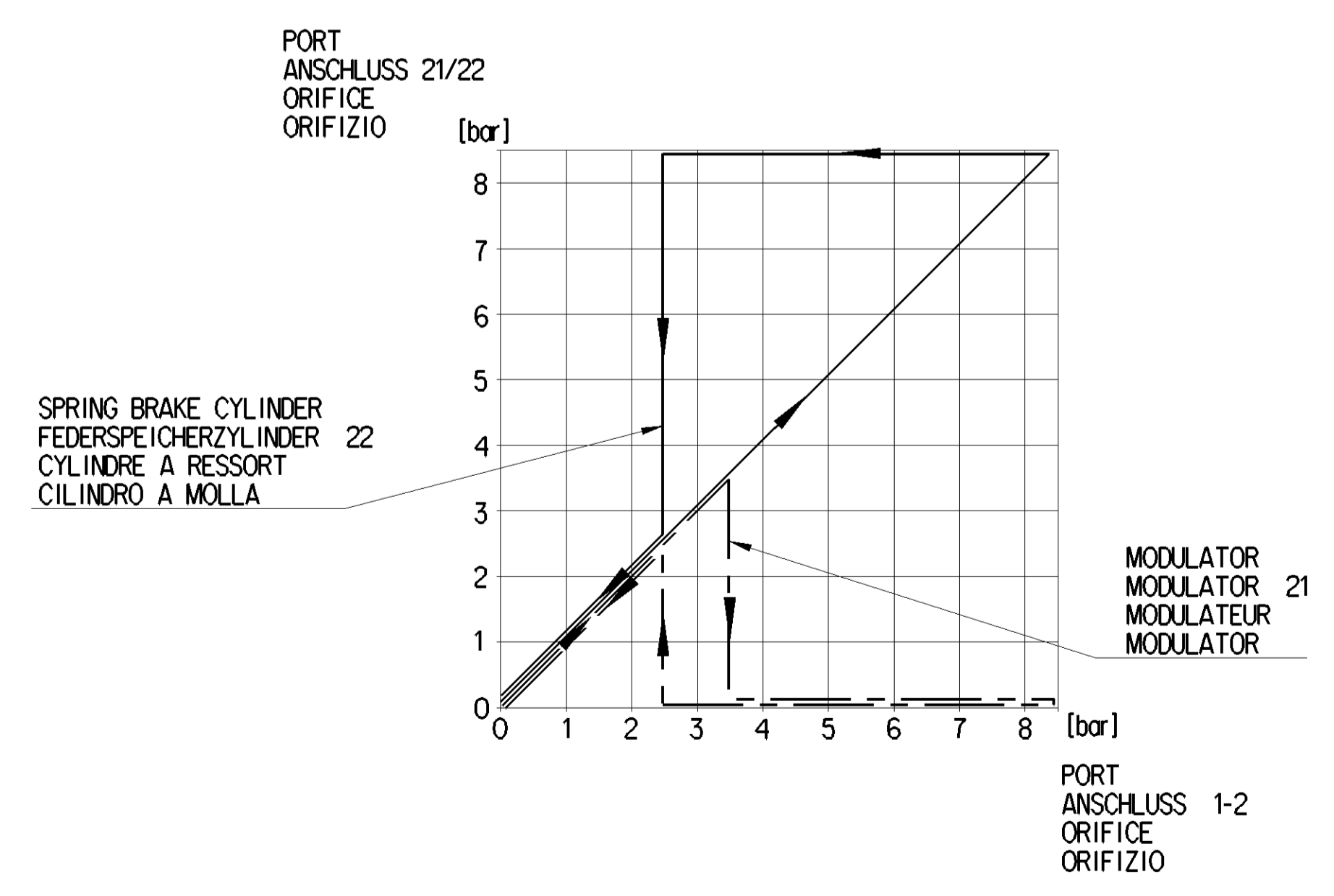
THERMAL RANGE OF APPLICATION UNDER NORMAL AMBIANT CONDITIONS THERMISCHER ANWENDUNGSBEREICH UNTER NORMALEN UMGEBUNGSBEDINGUNGEN PLAGE DE TEMPERATURE EN UTILISATION CONTINUE DE CAMPO D'APPLICAZIONE TERMICA NELLE NORMALI CONDIZIONI AMBIENTALI -40 °C ... +65 °C SEE PRODUCT SPECIFICATION SIEHE PRODUKTSPEZIFIKATION VOIR SPECIFICATION DU PRODUIT VEDERE SPECIFICA DI PRODOTTO

SHORT TERM RESISTANCE TO HEAT KURZZEITIGE WÄRMEBESTAENDIGKEIT RESISTENZA A LA CHALEUR A COURTE DUREE RESISTENZA AL CALORE SOLO PER BREVE TEMPO MAX. 90 °C MAX. 100 °C AT 2 h WITHOUT FUNCTION OHNE FUNKTION SANS FONCTION SENZA FUNZIONIE

WORKING PRESSURE (SUPPLY) BETRIEBSDRUCK (VORRAT) PRESSION D'UTILISATION (ALIMENTATION) PRESSIONE DI ESERCIZIO (ALIMENTAZIONE) P₁₋₁ = 8.5 bar

MAX. PERMISSIBLE WORKING PRESSURE (SUPPLY) MAX. ZULAESSIGER BETRIEBSDRUCK (VORRAT) PRESSION D'UTILISATION MAXI ADMISSIBLE (ALIMENTATION) PRESSIONE DI ESERCIZIO MAX. AMMESSO (ALIMENTAZIONE) P₁₋₁ = 10 bar TEMPORARILY KURZZEITIG DE COURTE DUREE BREVE TEMPO SOLO

INSTALLATION LIMITATIONS: EINBAUESCHRAENKUNGEN MAX. ABWEICHUNG DES GERÄTES VON DER SENKRECHTEN: ECART MAX. DE L'APPAREIL PAR RAPPORT A LA VERTICALE; LIMITAZIONE DI MONTAGGIO DEVIAZIONE MAX. DELL'APPARECCHIO RIFERITO ALLA VERICALE: ±15°



| | | | | | | |
|---------------|---------------|----------------------|------------------------|---------------------------|-----|----------|
| 971 002 900 0 | 971 002 103 4 | --- | --- | --- | --- | 1,570 KG |
| 971 002 902 0 | --- | --- | --- | --- | --- | 1,550 KG |
| 971 002 910 0 | --- | 893 800 001 2 (ø8x1) | --- | --- | --- | 1,690 KG |
| 971 002 911 0 | --- | 893 800 001 2 (ø8x1) | --- | --- | --- | 1,715 KG |
| 971 002 912 0 | 971 002 103 4 | 893 800 001 2 (ø8x1) | L 893 920 317 2 (ø8x1) | 463 703 044 0 (PLASTIC) L | --- | 1,745 KG |
| 971 002 913 0 | --- | 893 800 001 2 (ø8x1) | --- | --- | --- | 1,725 KG |

| IDENTIFICATION BENENNING DENOMINATION DENOMINAZIONE | PLATE SCHILD PLAQUE TARGHETTA ① | FITTING NUMBER VERSCHRAUBUNGSNUMMER NUMERO DE RACCORDO NUMERO DELL RACCORDO ② | FITTING NUMBER VERSCHRAUBUNGSNUMMER NUMERO DE RACCORDO NUMERO DELL RACCORDO ③ | TEST CONNECTOR PRUFANSCHLUSS PRISE DE DIAGNOSTIC RACCORDO DI PROVA ④ | FITTING NUMBER VERSCHRAUBUNGSNUMMER NUMERO DE RACCORDO NUMERO DELL RACCORDO ⑤ | WEIGHT GEWICHT POUNDS PESO ⑥ |
|---|---------------------------------|---|---|--|---|------------------------------|
|---|---------------------------------|---|---|--|---|------------------------------|

General Specifications: 4E-554-1, Size ISO 14400 LP

Further Technical Data: 2021-02-10, 2021-02-11

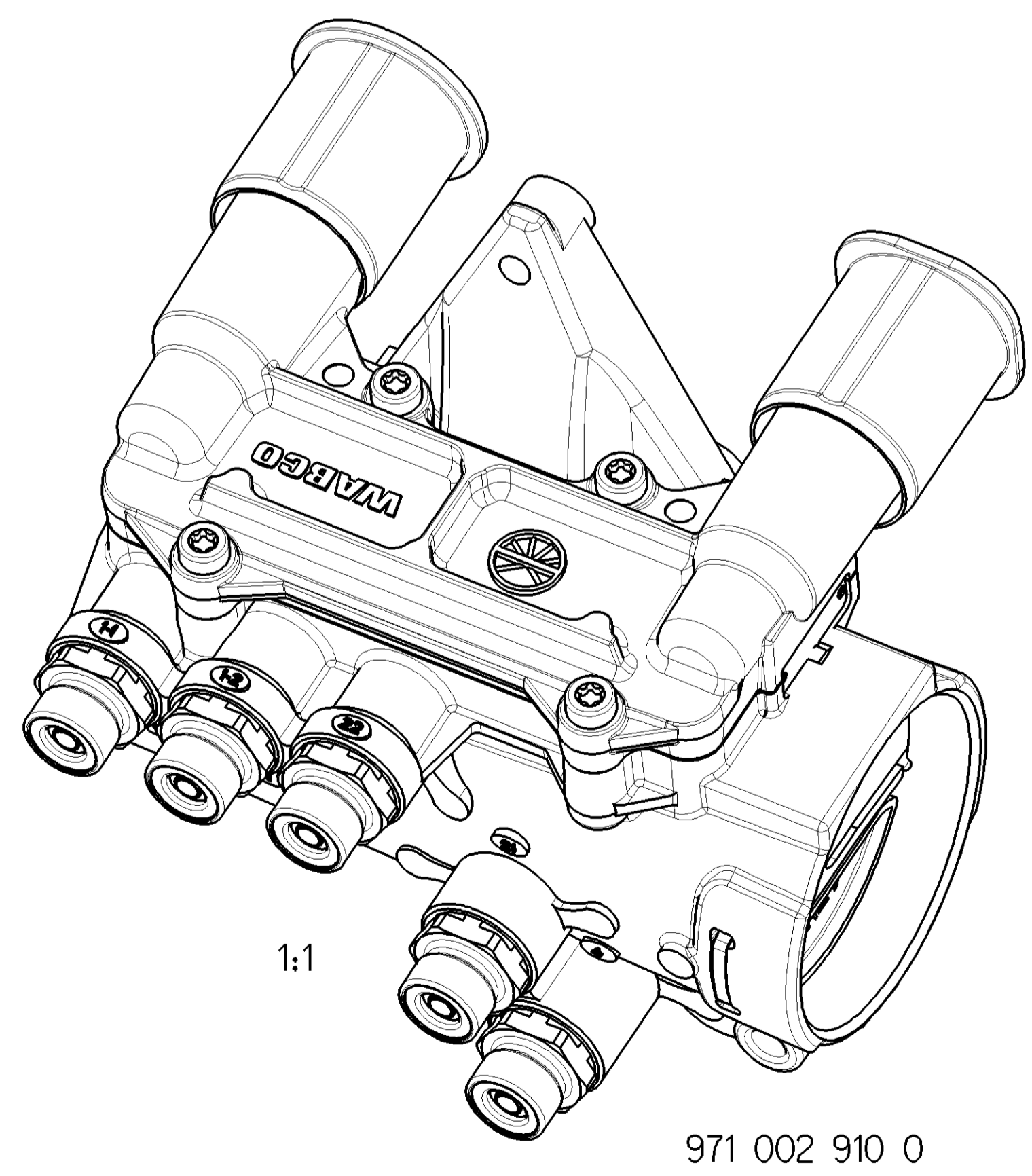
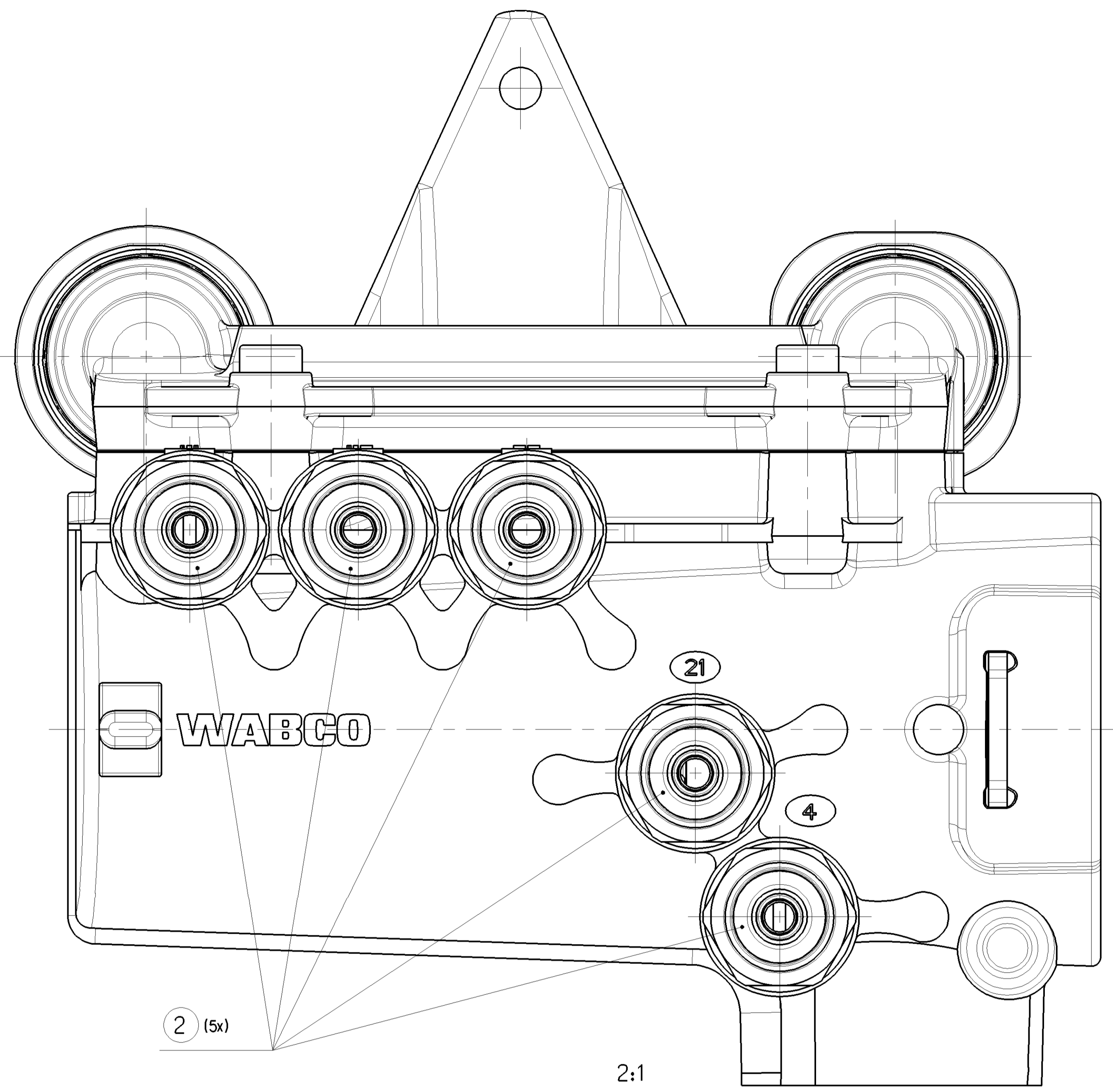
WABCO Park Release Emergency Valve

Part Number: 971 002 909 0

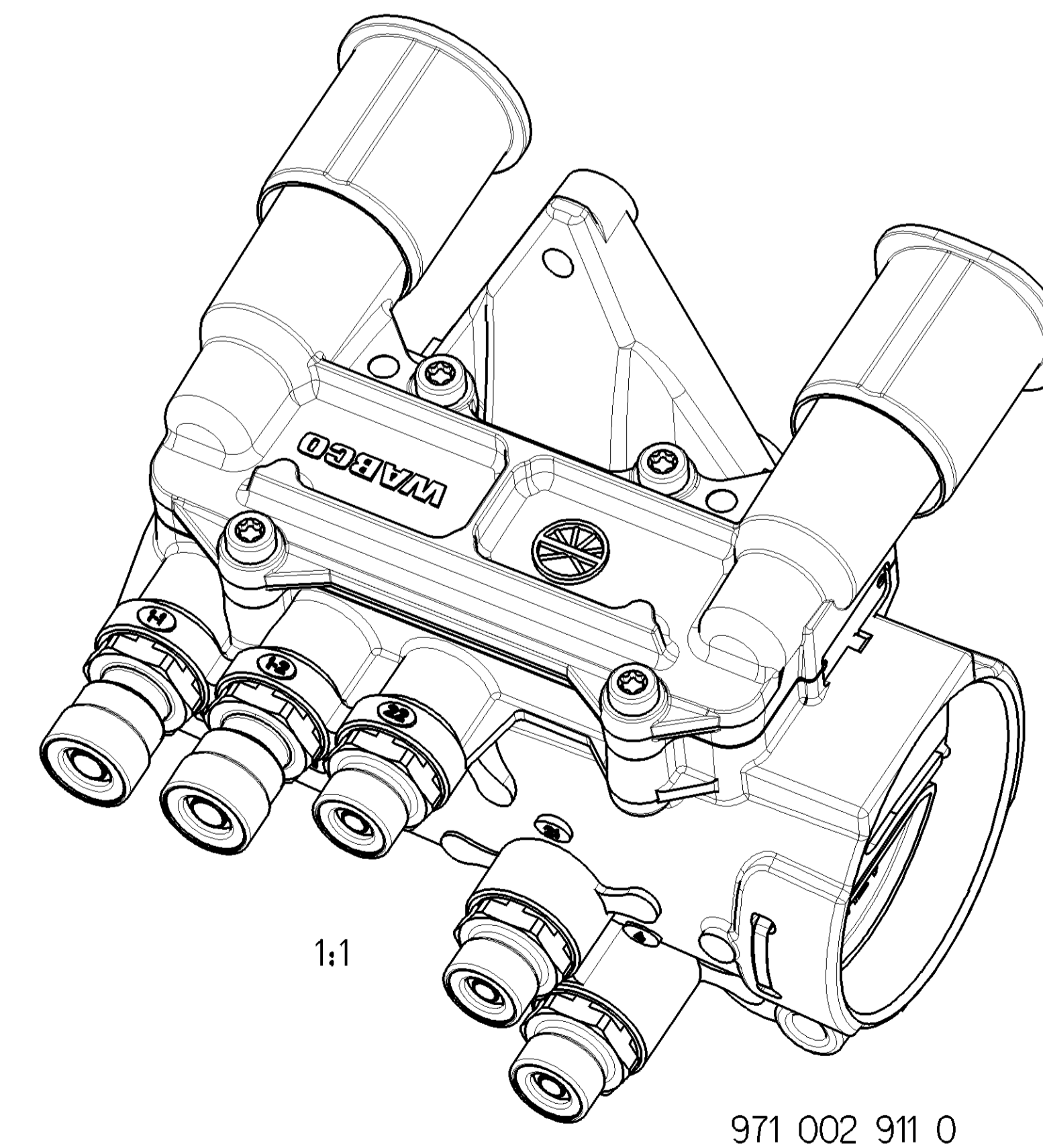
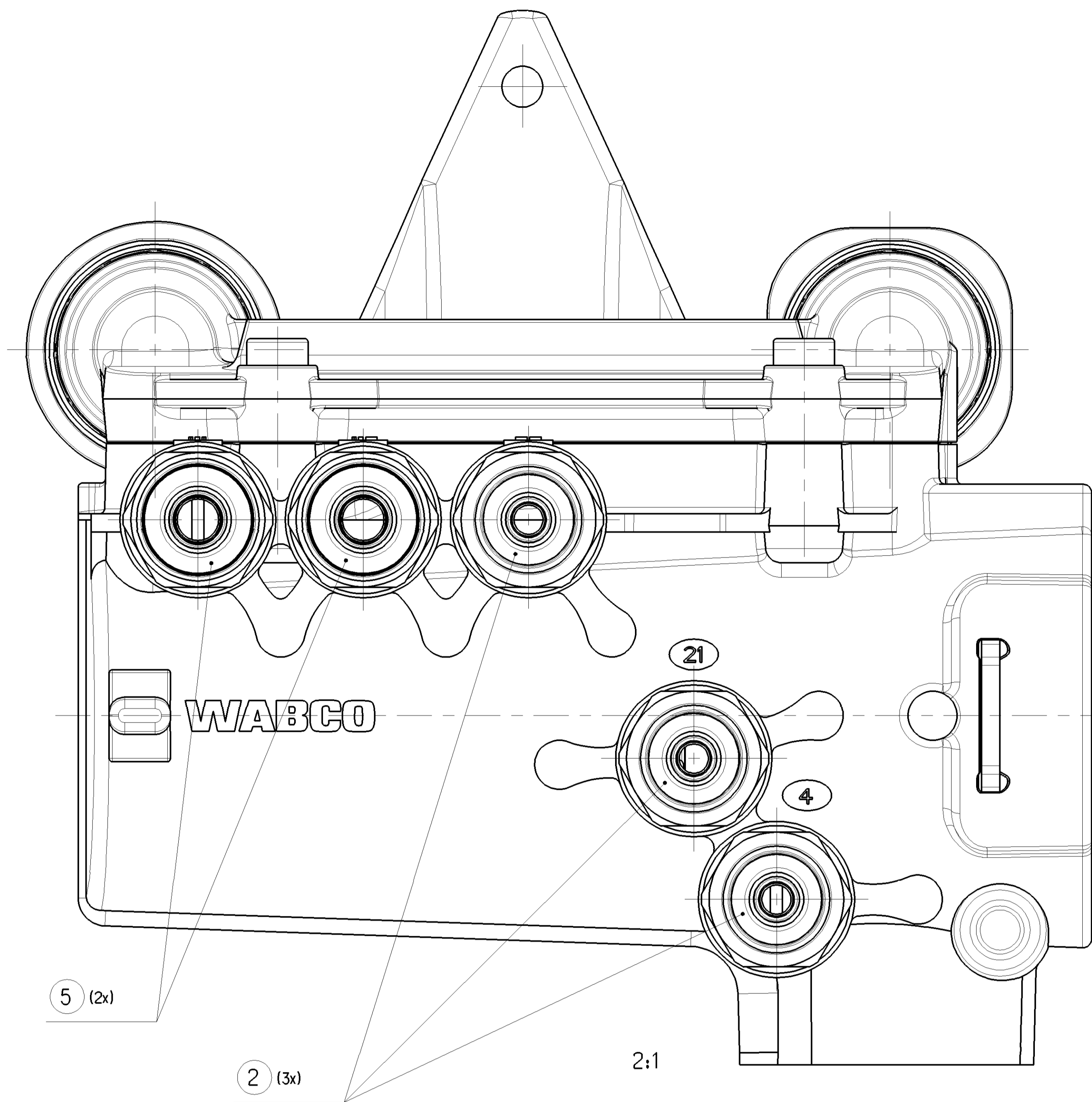
Weight: 053 ML 1/4

Pressure: 1:1

Size: 4 x L

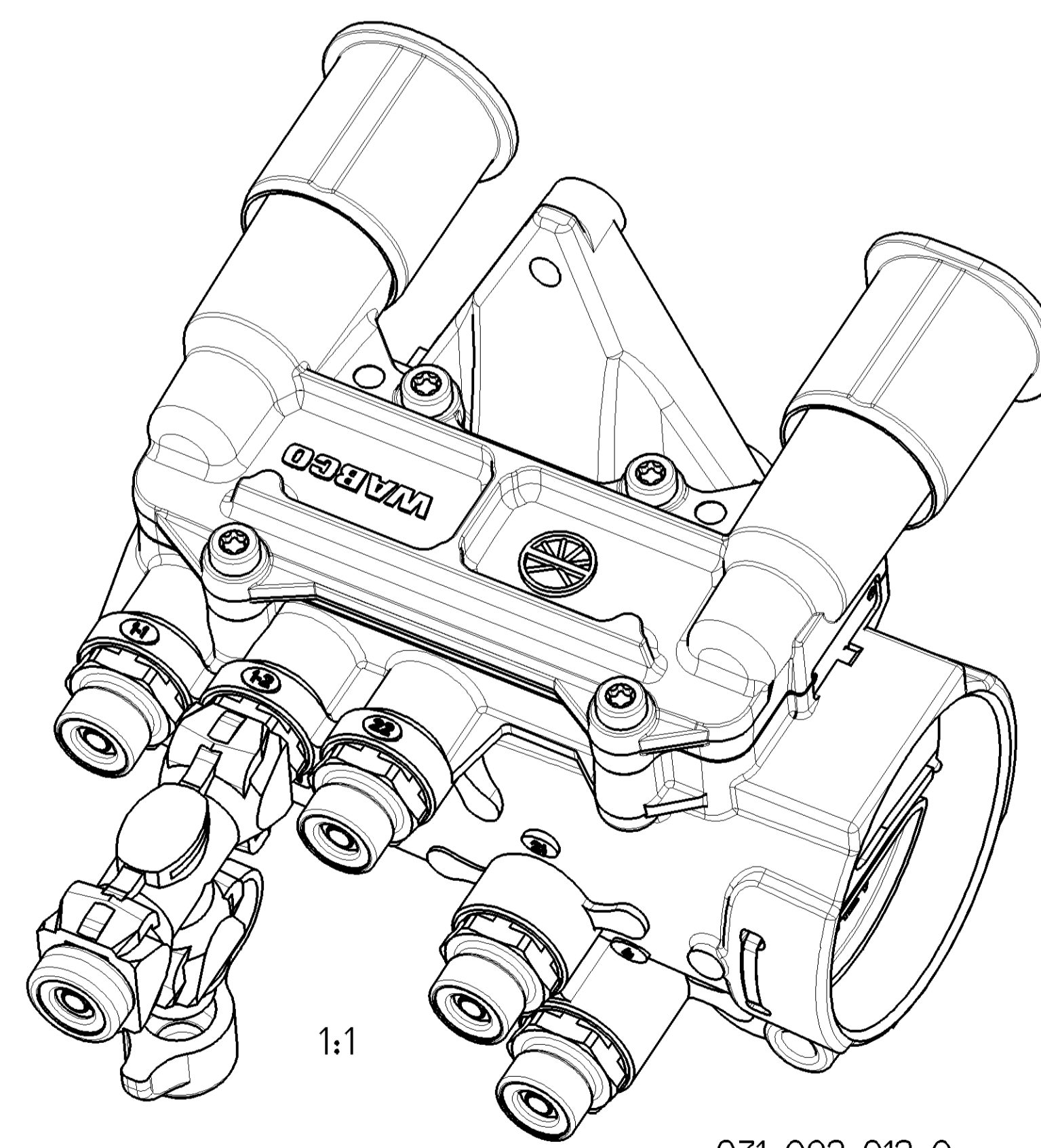
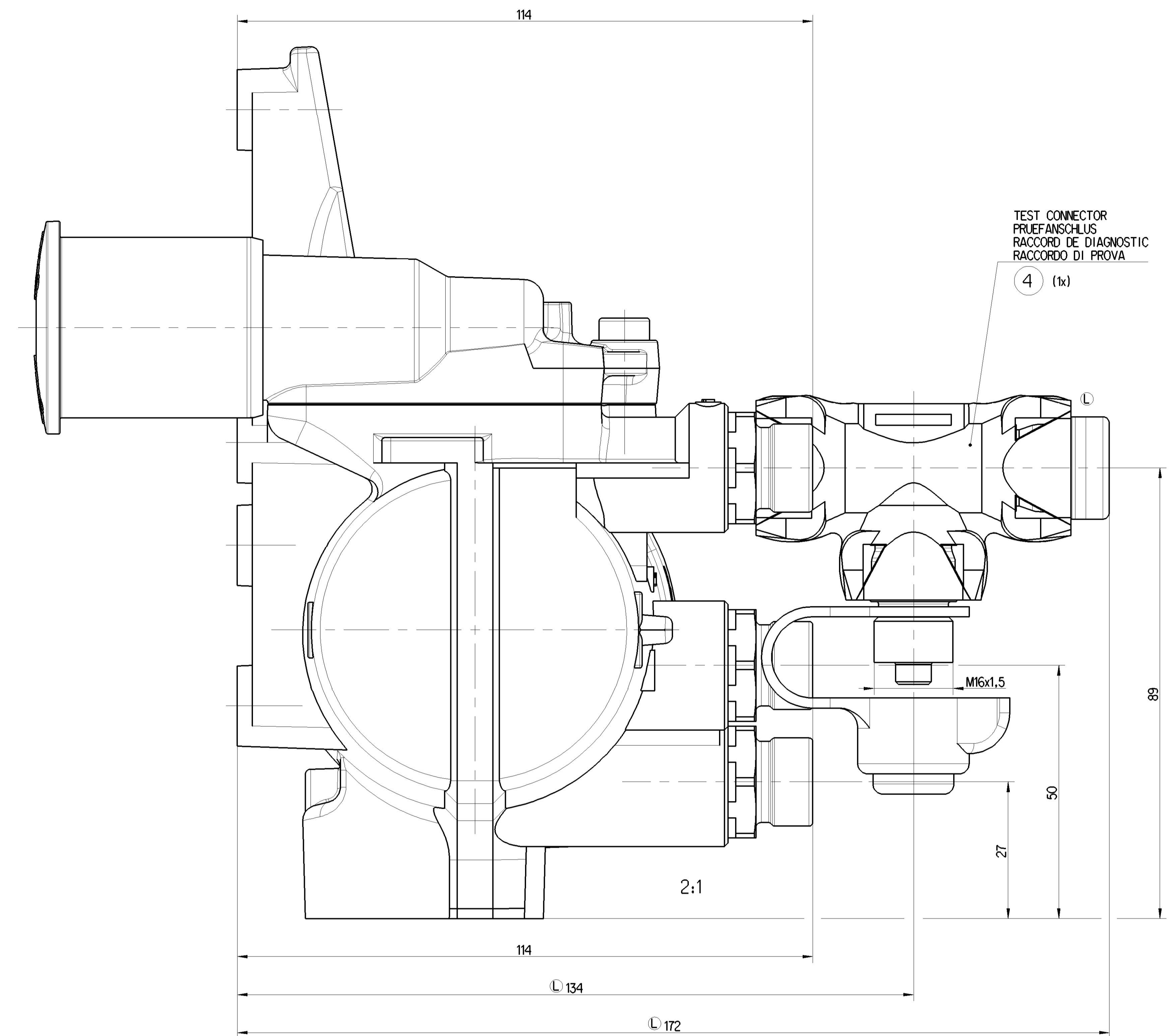
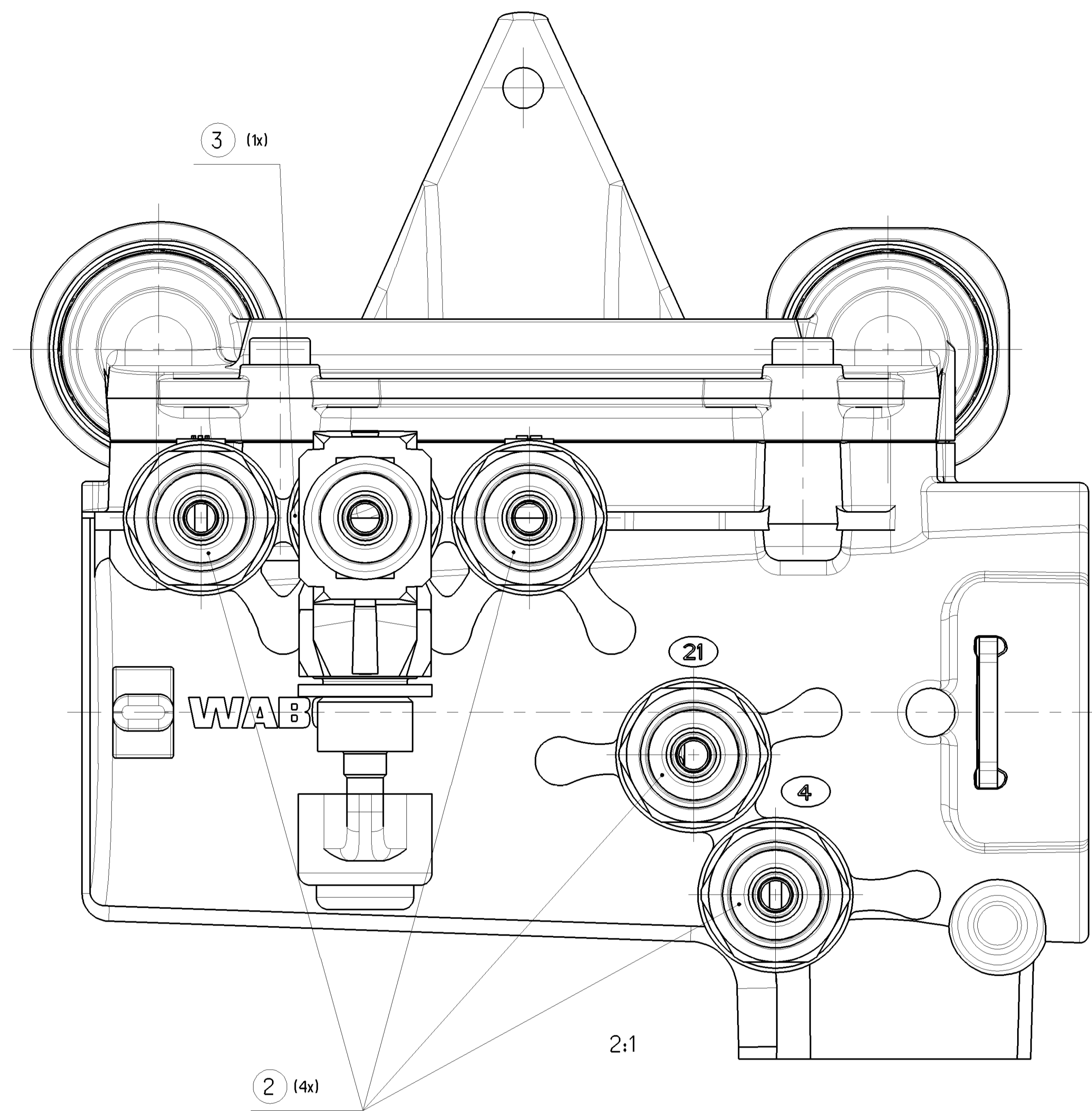


971 002 910 0



971 002 911 0

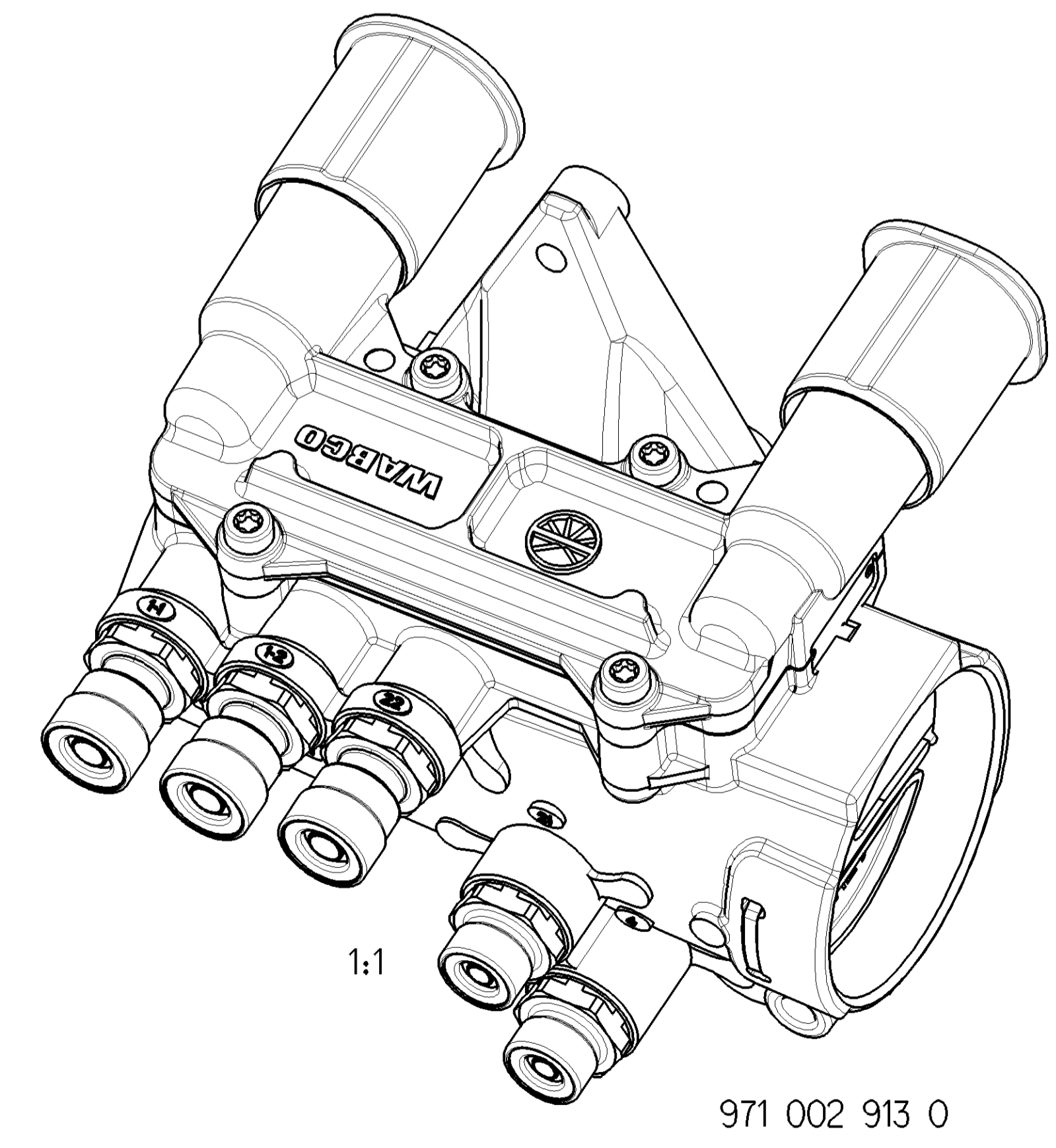
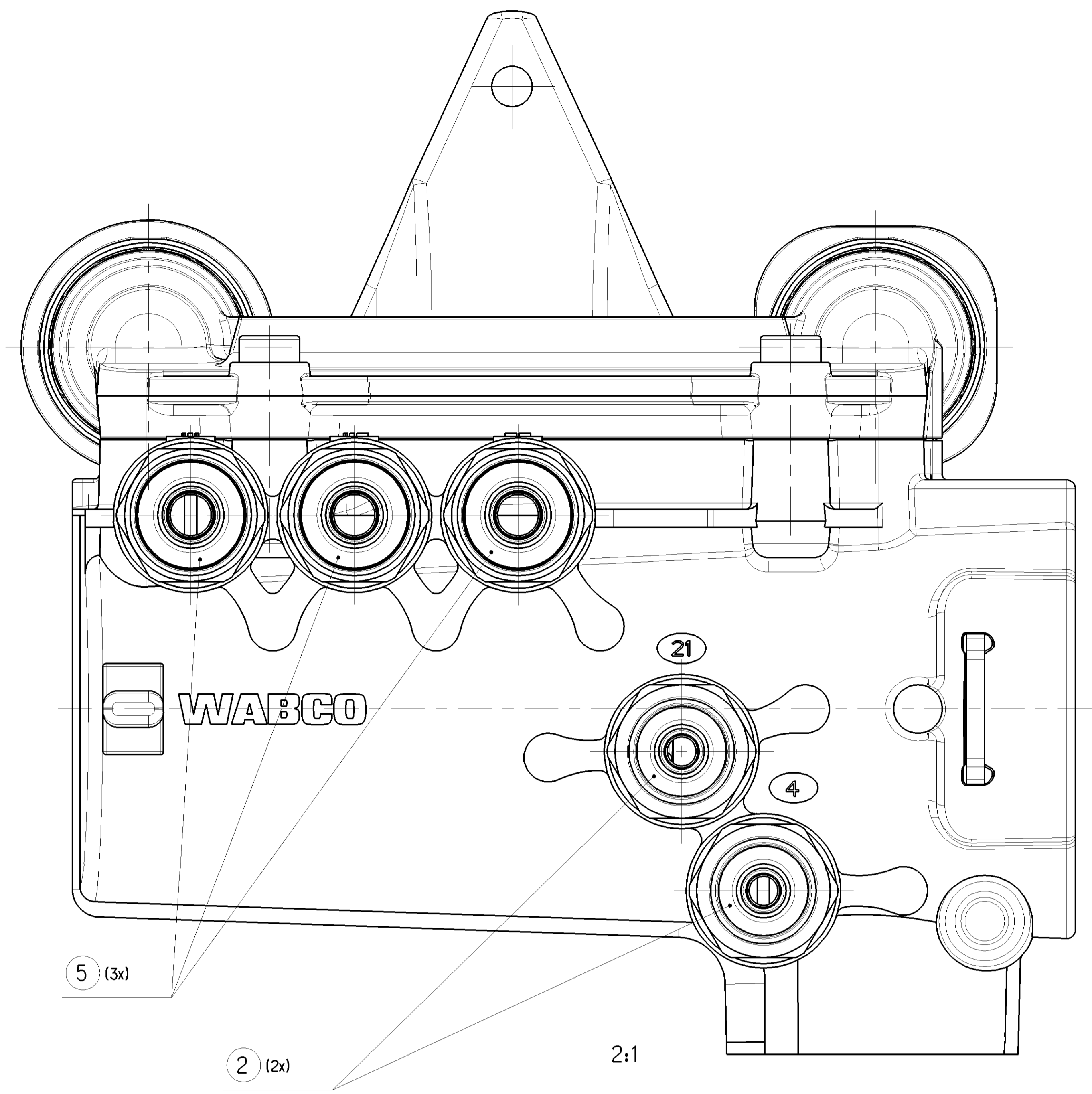
| | | | | | |
|---|-----|-------------------------|-----|---|-----|
| General Specifications: 4D-334-1, Size ISO 14400 LP | | Design WABCO® | | WABCO | |
| Further Technical Data: | | Date: 2021-02-10 | | System: Park Release Emergency Valve | |
| Doc. Code: 2021-02-10 | | Sheet: 1 of 1 | | Revision: 053 ML 2/4 | |
| General Tolerances: 4D-261 | | Drawing: SysteX | | Part Name: Valve d'urgence et de serrage remorque | |
| Range of Nominal Dimensions L (a mm) | | Last: SysteX | | Part Name: Servodistributore PREV | |
| Class | to | ± | 50 | ± | 180 |
| to | 180 | ± | 400 | ± | 400 |
| to | 400 | ± | 0,5 | 1,0 | 1,5 |
| to | 1,5 | 2,0 | 3,0 | 4,0 | 5,0 |
| to | 5,0 | ±0,3 | 1,0 | 2,0 | 3,0 |
| to | 3,0 | 4,0 | 5,0 | 6,5 | |
| to | 6,5 | | | | |
| Tapped Holes acc. 4D-102 | | Scale: 2:1 | | Material: 506248 | |
| Tolerances class: Appoint. Unspecified | | Part No.: 971 002 909 0 | | Revision: L | |
| | | Date of 1st issue: | | Drawing by: 5255 | |
| | | Doc. Code: 053 ML 2/4 | | Replacement for: | |



971 002 912 0

This document is the property of WABCO. It is intended for use by the customer only. It is not to be distributed, copied, or otherwise used without the written consent of WABCO. WABCO reserves the right to change the specifications of this product without notice. The information in this document is subject to change without notice.

| | | | | | |
|---|--|-------------------------|--|--|--|
| General Specifications: 4ED-334-1, Size ISO 144/20 LP | | Design: 41600* | | WABCO | |
| Further Technical Data: | | Date: 2021-02-10 | | Part Name: Park Release Emergency Valve | |
| Doc. Code: 4ED-334-1 | | Sheet: 3 of 3 | | Part Name: Park-Löse Sicherheitsventil | |
| General Tolerances: 4ED-261 | | Drawn: Syska | | Part Name: Valve d'urgence et desserage remorque | |
| Range of Nominal Dimensions L (a mm) | | Checked: Syska | | Part Name: Servodistributore PREV | |
| Class | | Material: Steel | | Serial No.: | |
| Fine | | Surface: 2:1 | | Date of 1st Issue: | |
| Medium | | Tolerance: ±0.1 | | Doc. Code: 053 | |
| Coarse | | Finish: ±0.05 | | Language: ML | |
| Tapped Holes acc. 4ED-102 | | Size: A 0 | | Sheet: 3 of 3 | |
| Tolerance class: Appoint. Unmarked | | Part No.: 971 002 909 0 | | Replacement for: | |
| | | Manufacturer: OREO | | Part No.: 506248 | |
| | | Revision: L | | Part No.: 5255 | |



971 002 913 0

| | | | | | |
|---|-------|--------------------|-------|-------------------------|-------|
| General Specifications: 4D-354-1, Size ISO 14400 LP | | Copyright WABCO® | | WABCO | |
| Further Technical Data: | | Date: 2021-02-10 | | System: Ssyska | |
| Doc. Code: 2021-02-10 | | Sheet: 01 of 01 | | Status: Exemp | |
| General Tolerances: 4D-261 | | Tolerances: Ssyska | | Location: Ssyska | |
| Range of Nominal Dimensions (L x mm) | | Material No.: | | Date of 1st Issue: | |
| Class | tol. | ± 50 | ± 180 | ± 400 | ± 400 |
| Fine | 0,5 | 1,0 | 1,5 | 2,0 | |
| Medium | X 1,0 | 2,0 | 3,0 | 4,0 | |
| Course | 2,0 | 3,5 | 5,0 | 6,5 | |
| Tapped Holes acc. 4D-102 | | SEE TABLE | | Magnification: 2:1 | |
| (1) Tolerance class: Asper. Unsmoothed | | No. of Holes: 4 | | Part No.: 971 002 913 0 | |
| | | A 0 | | Revision: L | |
| | | CREO | | Date: 2021-02-10 | |
| | | 506248 | | Sheet: 01 of 01 | |
| | | L | | Scale: ML 4/4 | |
| | | 5255 | | Replacement for: | |

This document is intended for internal use only. It is not to be distributed outside the company. It is the property of WABCO. All rights reserved. No part of this document may be reproduced, stored in a retrieval system, or transmitted, in any form or by any means, electronic, mechanical, photocopying, recording, or by any information storage and retrieval system, without the prior written permission of WABCO. The information contained herein is confidential and intended for internal use only. It is not to be distributed outside the company. It is the property of WABCO. All rights reserved. No part of this document may be reproduced, stored in a retrieval system, or transmitted, in any form or by any means, electronic, mechanical, photocopying, recording, or by any information storage and retrieval system, without the prior written permission of WABCO. The information contained herein is confidential and intended for internal use only.